

# Thermometer



## SL-TM006

Digital TEMP sensor METER thermometer temperature meter for motorcycle tractor ATV Boat mixer truck drilling

### PRODUCTS DESCRIPTION

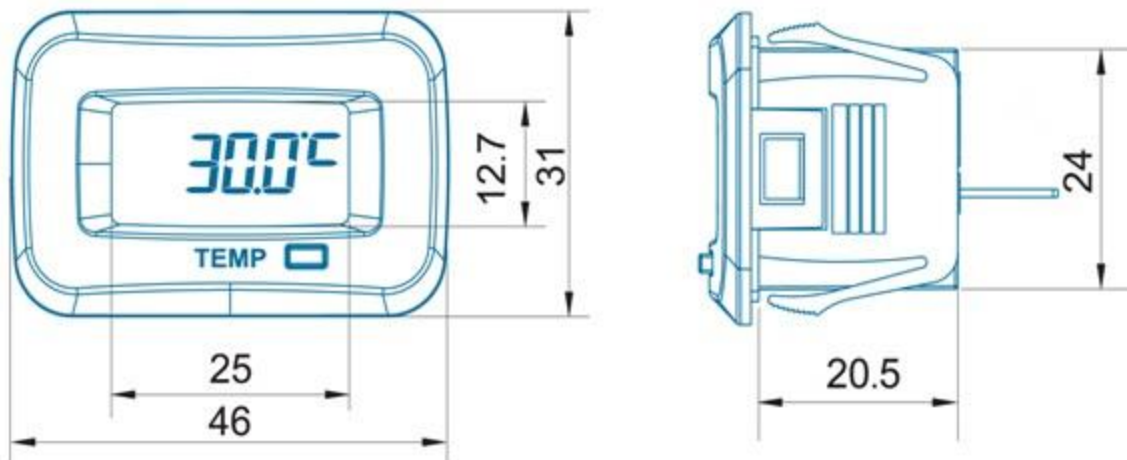
**RL-TM006** Digital Temp meter. It can work on most device or machines. It has a powerful Temp system as well as some other unique function design.

**Temp Measuring System Including:** measuring current temperature, **MAX Temp** and setting over temperature warning function, temperature **unit** display can be set by user, temperature **sensor** type can be select by user, etc

**Unique Design Including:** easy installed, data stored automatically, internal battery and external power supply more durable, waterproof rate IP68, etc.

## SPECIFICATIONS

Product Model	SL-TM006
Product Size	46mmx31mmx37mm
Display Screen	LCD
Screen Size	25mm x 12.7mm
Button Type	Touch Switch
Induction Wire Type	UL2468 22AWG
Refresh Rate	1S
Housing Material	ABS
Display Panel Material	Transparent Acrylic
Package	White box
Packing Size	70mmx70mmx45mm
N.W.	95g
Waterproof Rate	IP68
Power cable	1.2m
Temp cable	50cm
Battery Specification	CR2032 210mAH
External power Voltage	AC/DC6-30V
Temp Accuracy	0.1°C±1%



# Digital Temp Meter

**SL-TM006**



Temp



Max Temp



Temp



REFRESH



Battery



Waterproof



## Digital temp meter

### 1 Temp system



Temp



Max Temp



Over temp reminder

etc

### 2 Unique Design



Internal battery  
+External Power



Data storage

etc

# Temperature real-time display

Measure the real-time temperature, easy to view.

Temperature measuring range

**PT100:**  $-20^{\circ}\text{C}$ - $+250^{\circ}\text{C}$  ( $-4^{\circ}\text{F}$ - $+482^{\circ}\text{F}$ )

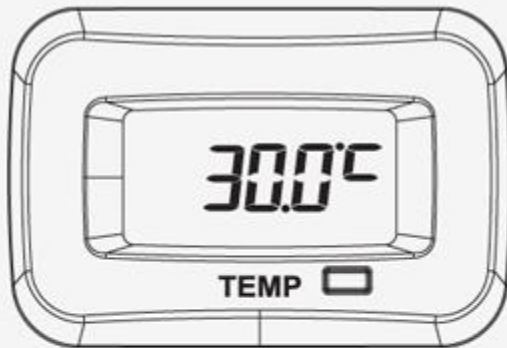
(This temperature sensor **excluded**.)

If has demands, please contact service center or leave message.)

**NTC:**  $-20^{\circ}\text{C}$ - $+150^{\circ}\text{C}$  ( $-4^{\circ}\text{F}$ - $+302^{\circ}\text{F}$ ) (Included)

Temperature measuring refresh rate: 1s

Temperature measuring errors:  $\pm 1\%$   $^{\circ}\text{C}$

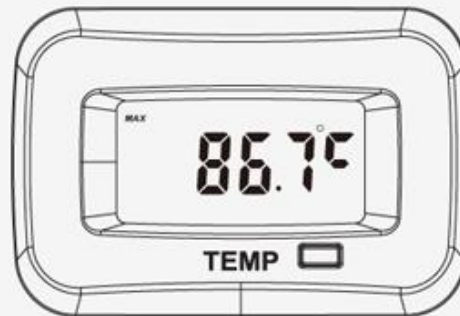


# Temp system-MAX Temp

## MAX Temp Viewable + Resettable

Record the max temperature at the place of temperature sensor.  
MAX TEMP can be view at any time and reset by hand,  
Exceed the history value twice will make the value fresh to a new.

The default value  
-20 C / -4 F



## High Temperature Setting & Alert Display

### High Temp Setting

High Temp Alert can be set by user.

High Temp Setting Range

PT100 -20°C to +250°C / -4°F to +482°F

NTC -20°C to +150°C / -4°F to +302°F

The default value

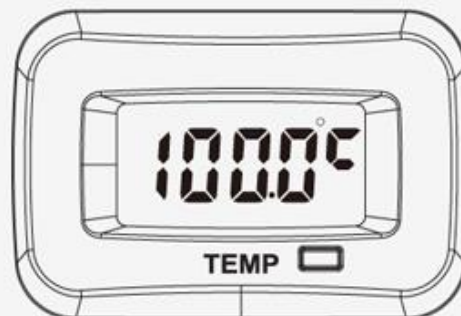
100°C (212°F)

### High Temp Alert

Remind when over set warning value of temp

When temp is too high,  
the warning symbol flashes to remind the user.

Remind the user to control the temp  
to prevent damage things.



2 temp units switchable  
2 temp sensor types selectable

More selections fit for more demands

**Temperature Unit:** °C or °F

Temperature unit can be set by user.

Default : °C

Temperature sensor type

**PT100:** -20°C-+300°C (-4°F-+572°F)

(This temperature sensor **excluded**.)

If has demands, please contact service center or leave message.)

**NTC:** -20°C-+150°C(-4°F-+302°F) (Included)

Temperature measuring refresh rate: 1s

Temperature measuring errors: ±1%°C

## Internal Battery+External Power

Internal & external power makes the meter's lifetime longer

Internal Battery : CR2032, 210mAH non-replaceable  
External Power : AC/DC 6-30V

Only when no connecting with external power will use internal battery.  
Please connect with external power as far as possible.



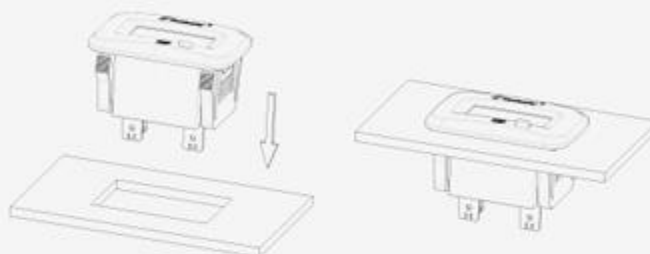
# Easy to install, complete accessories

## 1.Product Installation

- 1 Drill a hole in the mounting plate.

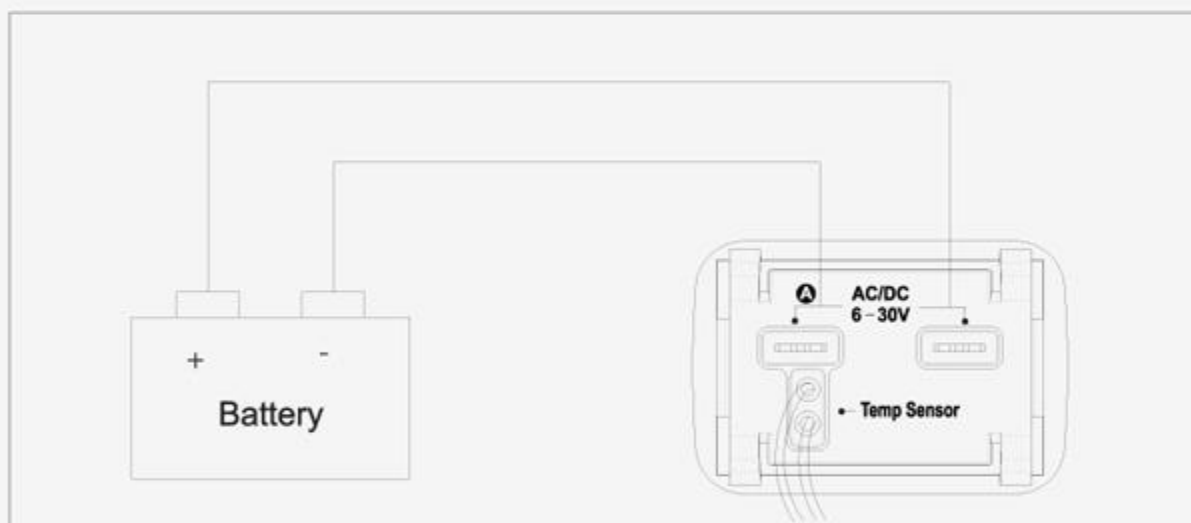


- 2 Insert the product into the mounting plate. Tighten the product to mounting plate by buckle on the product.



## 2.Product connection

Power connection: Dock the external power with the pins of product by power cable. When the display shows from----- to **Err**, it means that the connecting is correct.

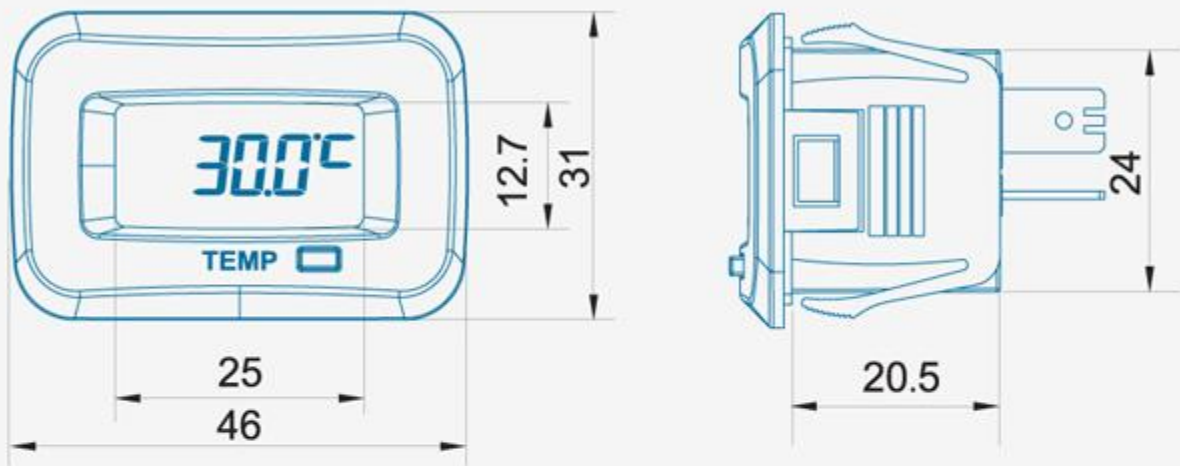


Notice: No distinguish between positive and negative pin when install the power cord , the external power 's voltage range is AC/DC6-30V.



# Dimensional Drawing

White box packaging, More safe transportation.



## Specifications

Product Name	Temp Meter	Button Type	Touch Switch	N.W.	95g
Item Number	RL - TM006	Induction Wire Type	UL2468 22AWG	Waterproof Rate	IP68
Product Size	46mmx31mmx37mm	Refresh Rate	1S	Power cable	1.2m
Display Screen	LCD	Housing Material	ABS	Temp cable	50cm
Screen Size	25mm x 12.7mm	Display Panel Material	Transparent Acrylic	Battery Specification	CR2032 210mAH
		Package	White box	External power Voltage	AC/DC6-30V
		Packing Size	70mm*70mm*45mm	Temp Accuracy	0.1℃±1%